

# Inflatable amusement devices – keeping the community safe

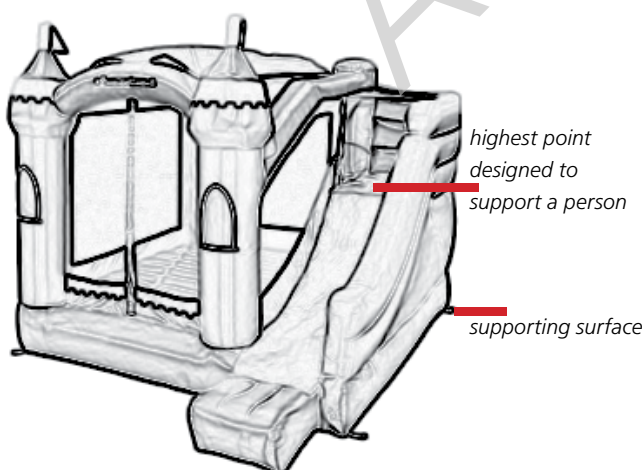
Bouncy castles and inflatable slides can be a lot of fun, however injuries or even fatalities can happen if they are incorrectly set up, anchored, operated or supervised.

The health and safety of patrons and anyone in the vicinity must not be put at risk by the operation of inflatable amusement devices.

The following information is relative to land-borne inflatable amusement devices that do not require plant registration with SafeWork SA. Plant registration is required if an inflatable amusement device:

- relies on a continuous supply of air pressure to maintain its shape (e.g. has a fan attachment), and
- has a platform height of 3 metres or more (refer to Diagram 1).

**Diagram 1: Measuring platform height**



*The platform height of an inflatable amusement device is measured without anyone on the device, and from the surface supporting the device to the highest point designed to support a person. A height of 3 metres or more requires plant registration.*

## PCBU responsibilities

Persons conducting a business or undertaking (PCBUs) (e.g. owners, operators or managers of inflatable amusement devices) must ensure that:

- risks are identified and managed appropriately before set-up (e.g. check for overhead or underground powerlines, location of gas pipelines, overhanging trees, sloping ground, poor drainage)
- inspections for continued safe use are carried out by a competent person (i.e. someone who, through training, qualifications or experience, has the knowledge and skills to do so) – recommended annually in the absence of any other manufacturer information
- daily checks, routine maintenance, repairs and regular scheduled inspections are carried out – to demonstrate evidence of maintenance, inspection and testing it is recommended that these be recorded in a log book
- electrical equipment (e.g. motors, electrical leads, generators, residual current devices [RCDs]) is inspected annually by a competent person (someone who, through training, qualifications or experience, has the knowledge and skills to do so)
- a site emergency plan is prepared, including emergency access, and workers are trained in what to do in an emergency
- fire extinguishing equipment is provided and inspected
- workers have been provided with information, training and instruction (e.g. safe operating procedures) for set-up, use and dismantling
- devices are secured and anchored as per the manufacturer's or engineer's instructions
- anchor pegs/stakes/weights and guy ropes do not pose a tripping hazard
- barriers (e.g. fences) are sufficient to guide patrons and prevent public access to 'no go' zones
- devices are not deployed over water

- impact mats are installed in areas where patrons could fall off the device (e.g. at entrances and exits)
- condition checks are conducted during dismantling (e.g. check for wear or rips in the fabric), any faults recorded and repairs made.

### Regular checks

You should conduct regular checks of inflatable amusement devices to ensure that:

- daily inspections are recorded in the log book
- maintenance and repairs have been carried out and recorded in the log book
- anchor stakes/pegs/weights are adequately securing the device and are suitably protected to prevent trips, impalement and traffic damage
- fall zone impact mats are in place and free of obstacles
- guarding on electrical equipment (e.g. to stop children inserting fingers or toes into the fan blades) is in place and effective.

### During operation

When operating inflatable amusement devices you must ensure that:

- supervision is provided at all times by persons who are able to operate the device safely and know what to do in an emergency (e.g. in case of inclement weather)
- operators or supervisors are not under the influence of or adversely affected by alcohol, narcotics or medication
- only the recommended maximum number of patrons and only those of a similar size and weight are on the device at the same time
- patrons are instructed in safe use of the equipment and informed that their behaviour (e.g. somersaults, flips) must not put their safety or that of others at risk
- devices are evacuated then deflated when wind gusts exceed the manufacturer's guidelines or when wind gusts exceed 40 km per hour, whichever is the lower – use of a wind speed anemometer is recommended.

### Further information

*Code of Practice: Managing the Risks of Plant*

*Australian Standard AS3533.4.1 Amusement rides and devices – Specific requirements – Land-borne inflatable devices*

### Tips and advice

SafeWork SA offers a free workplace advisory service. An experienced WHS advisor can visit your workplace to help you to identify hazards and risks, and to put in place practical safety systems that will suit your specific circumstances.

Our advisors have no inspector powers at all under the WHS Act so you can feel comfortable inviting them in to help. Call **1300 365 255** or go to **[safework.sa.gov.au/freeadvice](http://safework.sa.gov.au/freeadvice)** to request a visit.